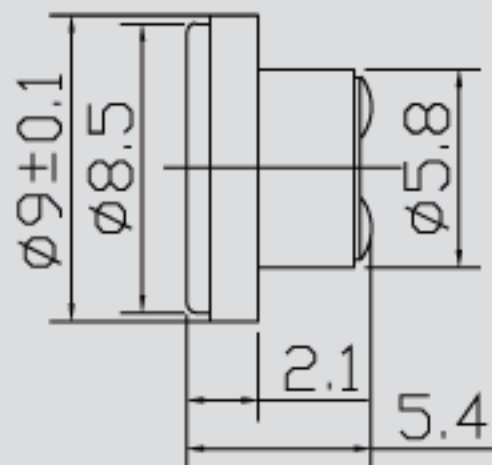


MR0932



DIMENSIONS

UNIT:mm

Tolerance: ± 0.5 mm

SPECIFICATIONS

Rated Impedance	Ω	$32 \pm 15\%$
Rated(Max.)Power	mW	5/10
Rated Freq.Range	Hz	300~3400
Sound Pressure Level	dB	110 ± 3 at 180mV
Weight	g	0.3
Operating temperature	$^{\circ}\text{C}$	$-10 \sim +40$

