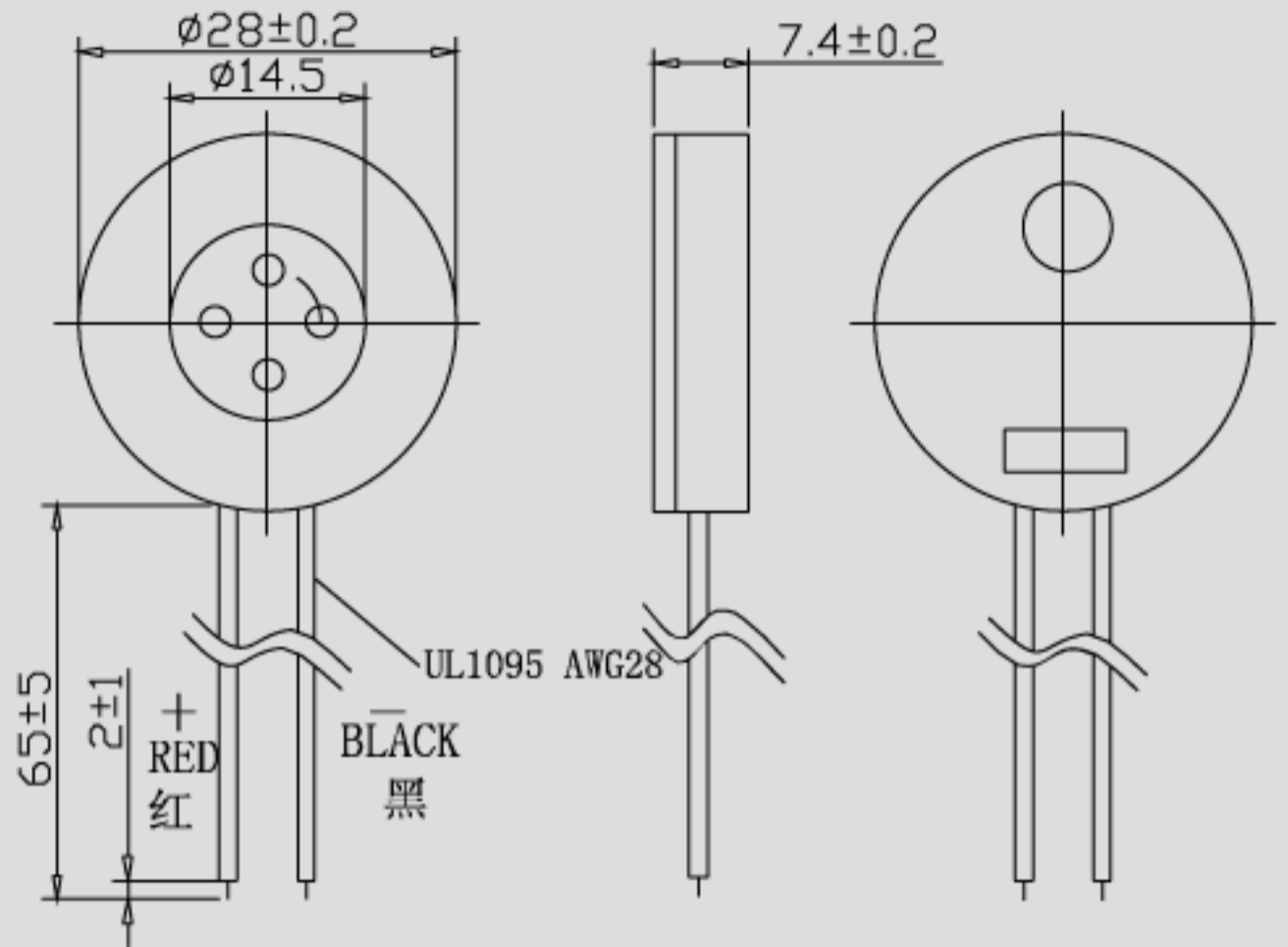


MR2815



DIMENSIONS

UNIT:mm

Tolerance: ± 0.5 mm

SPECIFICATIONS

Rated Impedance	Ω	$150 \pm 15\%$
Rated(Max.)Power	mW	50
Rated Freq.Range	Hz	300~4000
Sound Pressure Level	dB	93 ± 3 at 60mV
Weight	g	7.5
Operating temperature	$^{\circ}\text{C}$	$-10 \sim +40$

