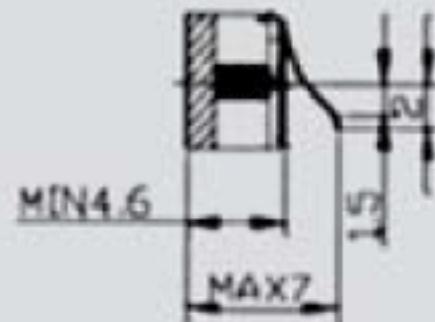
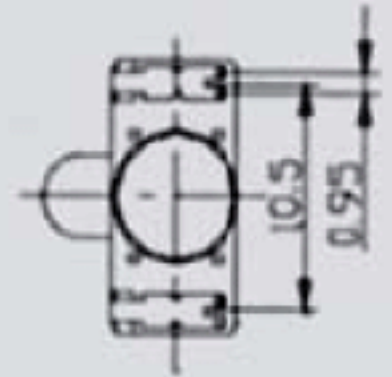
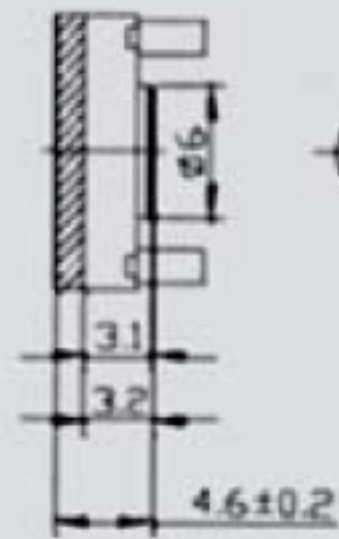
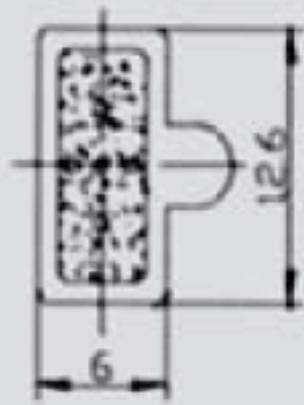
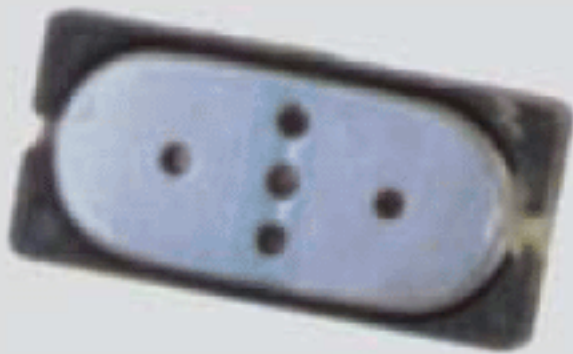


MRJ0612



DIMENSIONS

UNIT:mm

Tolerance: ± 0.5 mm

SPECIFICATIONS

Rated Impedance	Ω	$32 \pm 1.5\%$
Rated(Max.)Power	mW	10/20
Rated Freq.Range	Hz	300~3400
Sound Pressure Level	dB	107 ± 3 at 100mV
Weight	g	1.1
Operating temperature	$^{\circ}\text{C}$	$-10 \sim +40$

