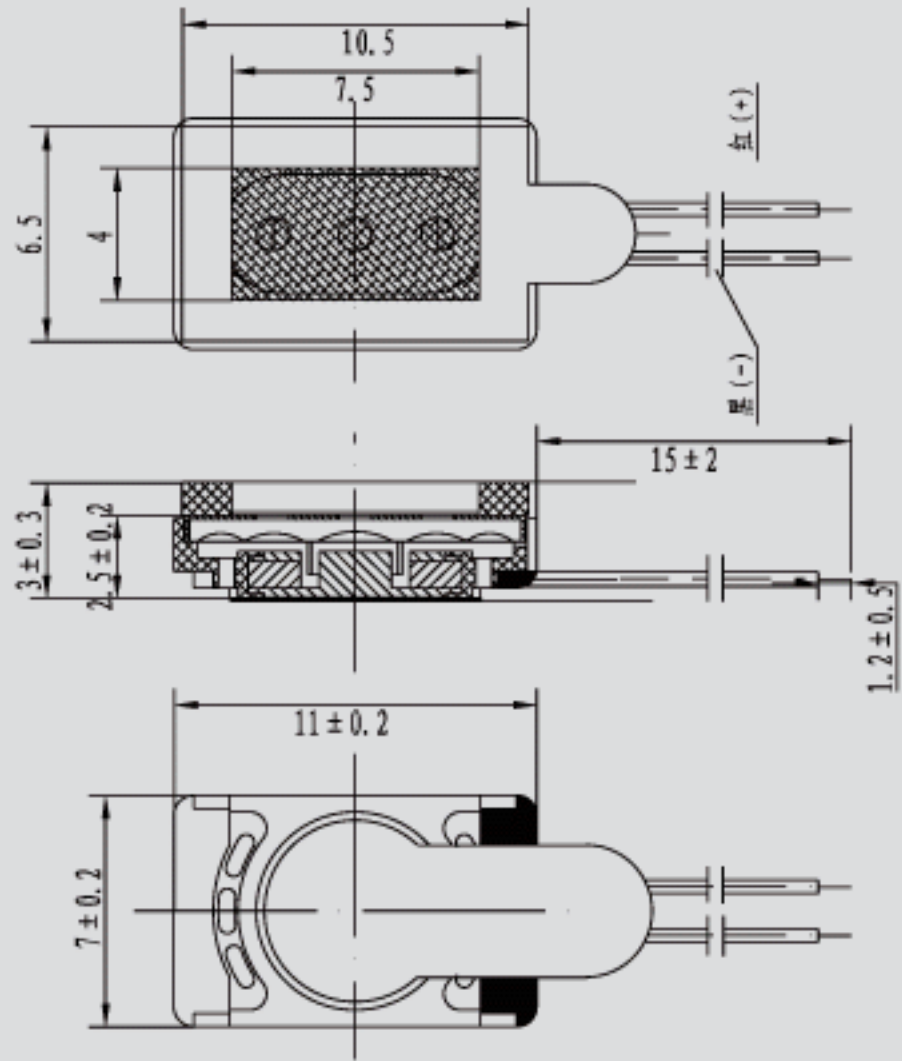


MRJ0711



Rated input
Max input
Frequency range
Impedance@1KHz
SPL@1 KHz(100 mv)

10mw
30mw
300~3400Hz
 $32 \pm 15\% \Omega$
 $107 \pm 3 \text{ dB}$

