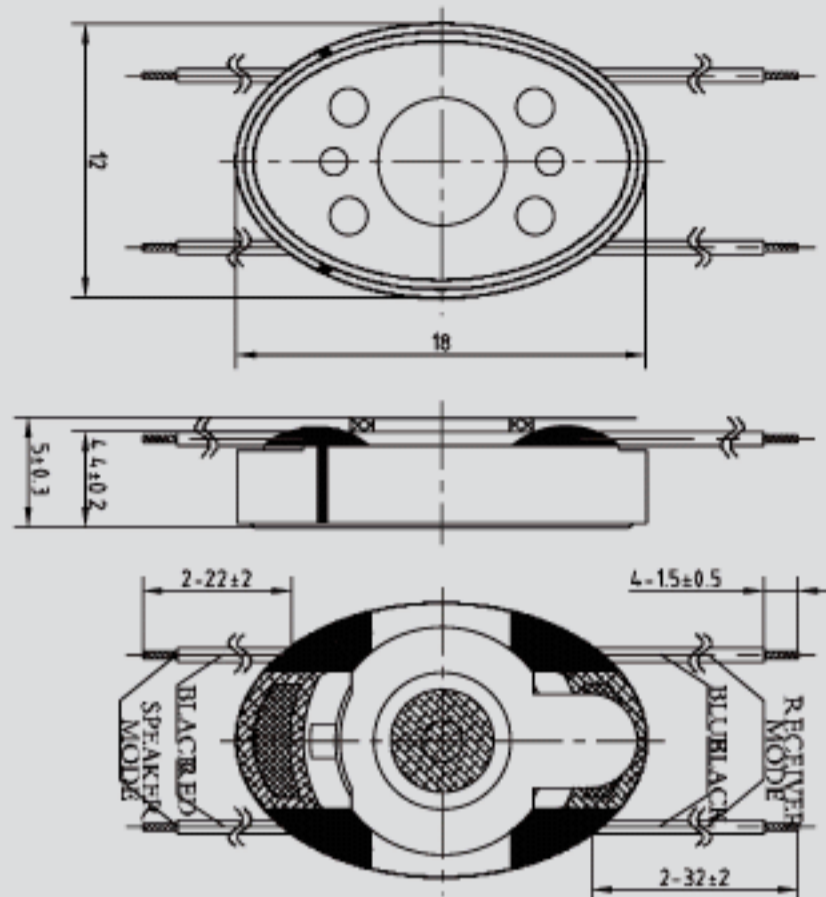
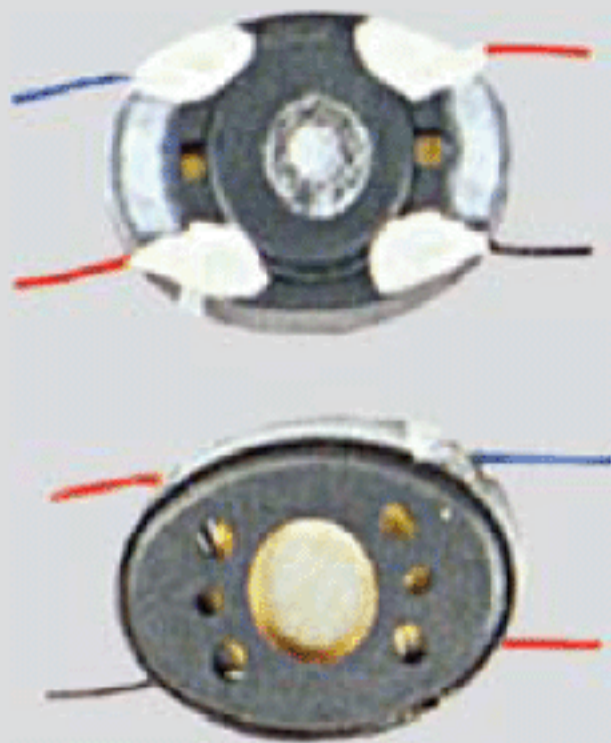


# MRS1218



Rated input  
 Max input  
 Frequency range  
 Resonance frequency  
 Impedance@1KHz  
 SPL@1.0, 1.2, 1.5, 2.0KHz  
 (0.1W/0.1m)  
 Frequency range  
 Impedance@1KHz  
 SPL@1kHz(100mv)

0.5W  
 1.0W  
 F<sub>0</sub>~20KHz  
 900 ± 20%Hz  
 8 ± 15% Ω  
  
 86 ± 3dB  
 300~3400Hz  
 32 ± 15% Ω  
 111 ± 2dB

