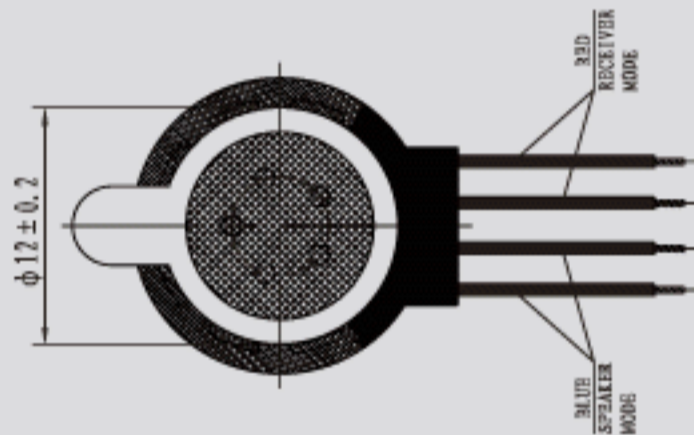
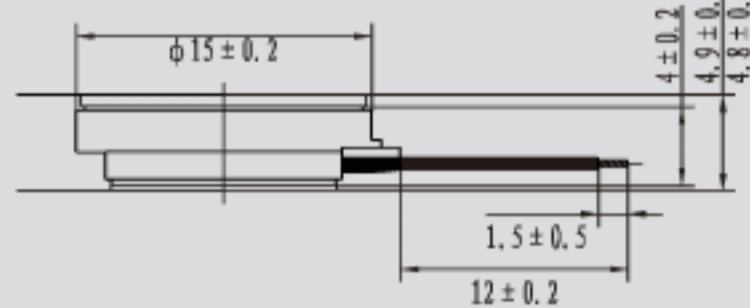
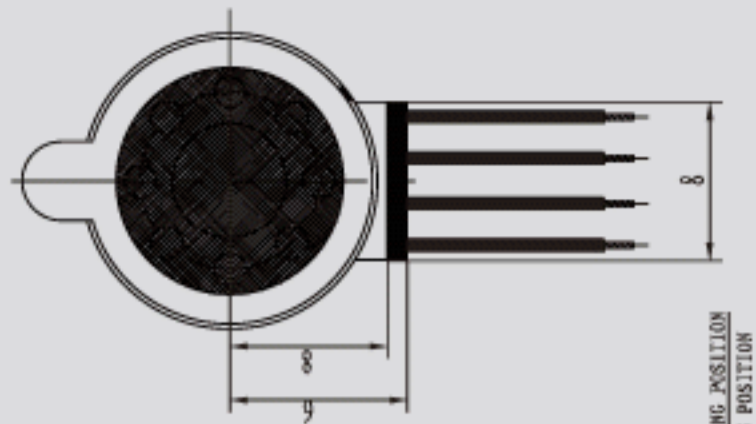


MRS1593



Rated input
 Max input
 Frequency range
 Resonance frequency
 Impedance@2KHz
 SPL@0.8,1.0,1.2,1.5KHz
 (0.1w/0.1m)
 Frequency range
 Impedance@1kHz
 SPL@1KHz(100mv)

0.5W
 1.0W
 Fo ~ 20KHz
 900 ± 20%Hz
 8 ± 15% Ω

88 ± 3dB
 300 ~ 3400Hz
 32 ± 15% Ω
 102 ± 3dB

