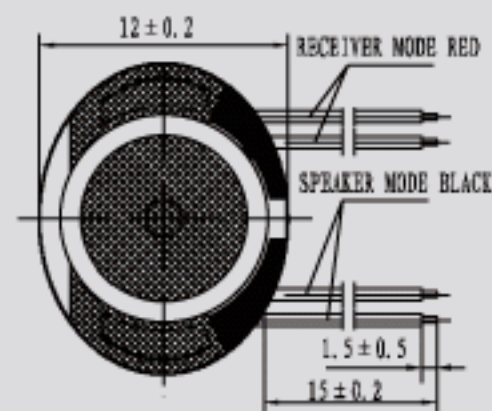
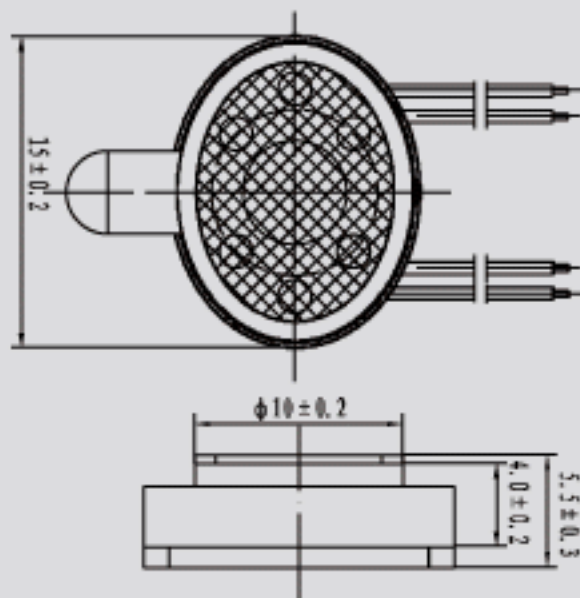


MRST1215



Rated input
 Max input
 Frequency range
 Resonance frequency
 Impedance@2KHz
 SPL@1.0,1.2,1.5,2.0KHz
 (0.1W/0.1m)
 Frequency range
 Impedance@2KHz
 SPL@1kHz(100mv)

0.5W
 0.75W
 F₀~20KHz
 1000 ± 20%Hz
 8 ± 15% Ω

 87 ± 3dB
 300~3400Hz
 32 ± 15% Ω
 107 ± 3dB

