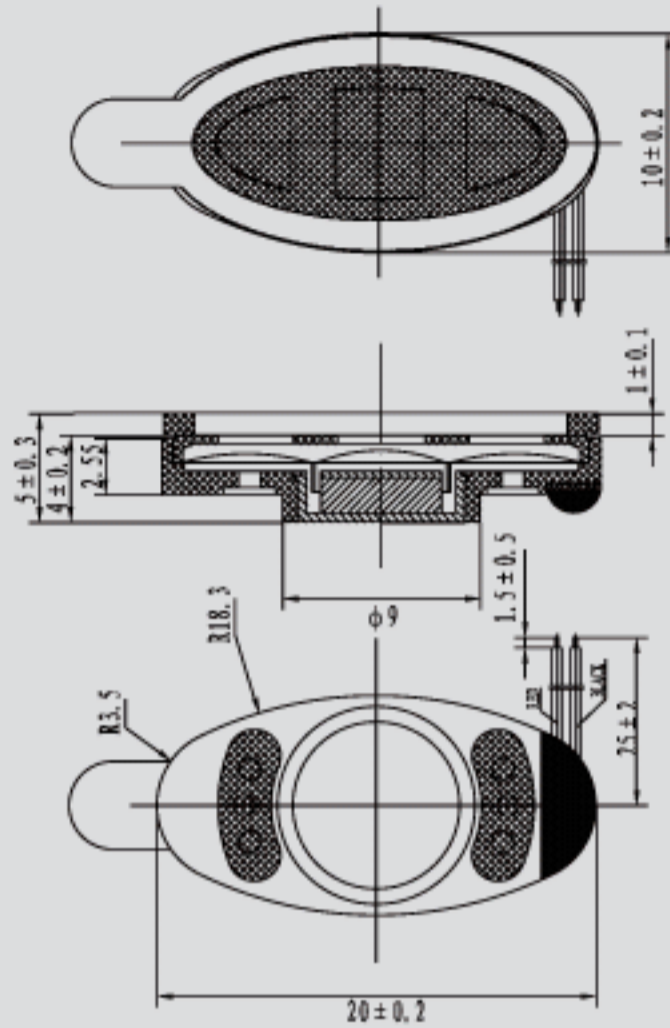


MRT1020



Rated input
 Max input
 Frequency range
 Resonance frequency
 Impedance@2KHz
 SPL@1.0,1.2,1.5,2.0KHz
 (0.1W/0.1 m)
 Frequency range
 Impedance@1KHz
 SPL@1 kHz(100mv)

0.5W
 0.8W
 $F_0 \sim 20\text{KHz}$
 $1000 \pm 20\% \text{Hz}$
 $8 \pm 15\% \Omega$

 $86 \pm 3\text{dB}$
 $300 \sim 3400\text{Hz}$
 $8 \pm 15\% \Omega$
 $120 \pm 3\text{dB}$

