

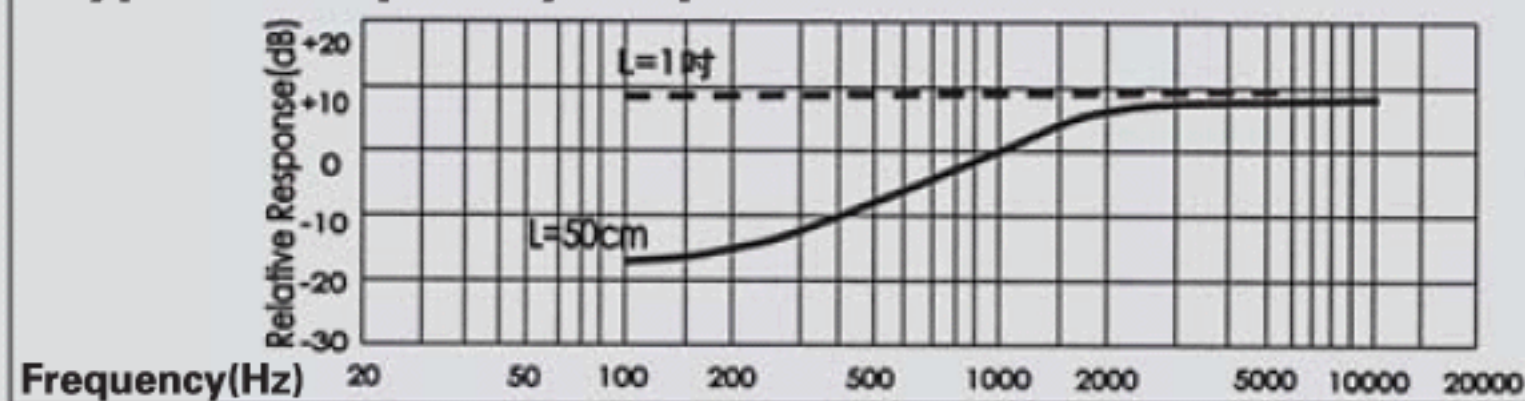
NF-8050

Noise Cancelling Foil Electret Condenser Microphone

Appearance



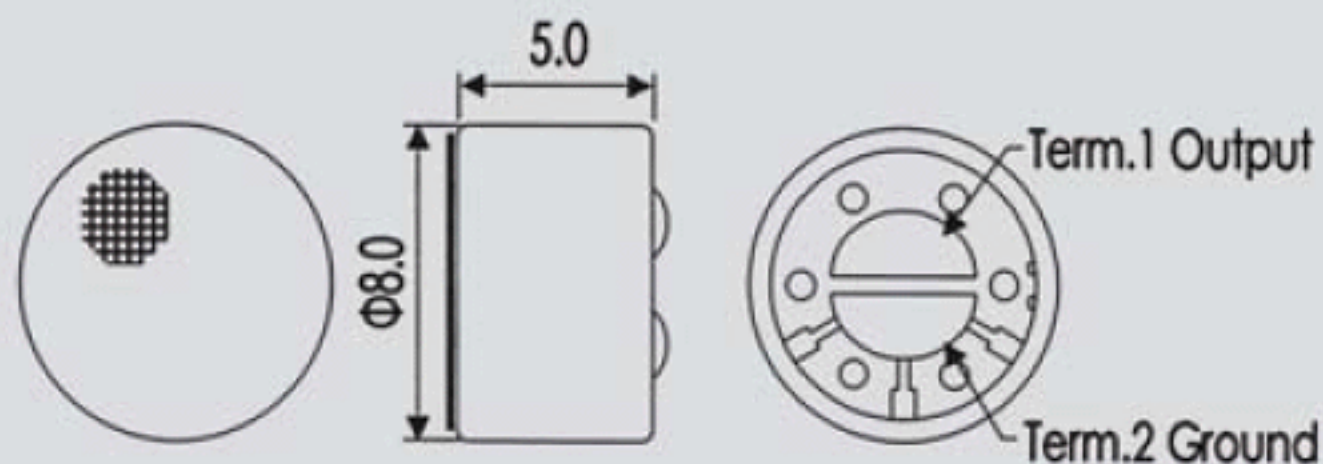
Typical frequency response curve



Dimensional drawing

Unit: mm

Lead-wire



- Small noise-cancelling electret microphone
- Close talk characteristics effectively reduce ambient noise

Specification

Sensitivity

See above (0dB=1V / Pa, 1kHz)

Impedance

Less than 680 Ω

Directivity

Nois cancelling

Frequency

100-10,000Hz

Max. operation voltage

10.0V

Standard Operation voltage

1.5V

Current consumption

Max. 0.5mA

Sensitivity reduction

Within -3dB at 1.1V

S/N ratio

More than 55dB

Shape size

$\Phi 8.0 \times h 5.0$

Sensitivity range

$V_s = 1.5v$
 $R_L = 680 \Omega$

$-48 \pm 3dB$

$-50 \pm 3dB$

$-52 \pm 3dB (L=50cm)$

$-54 \pm 3dB$