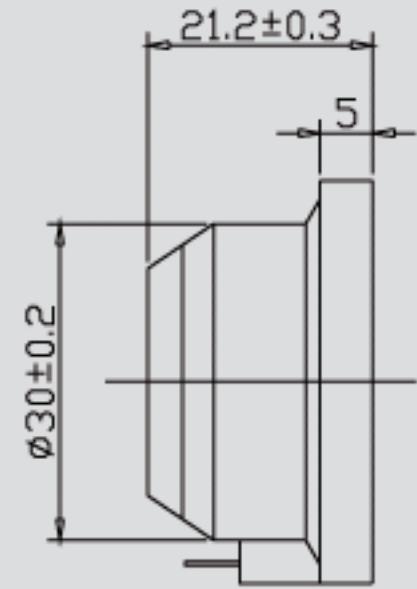
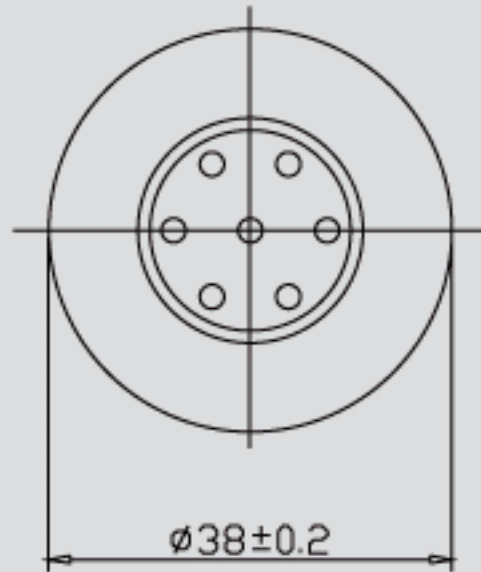


SD38



DIMENSIONS

UNIT: mm

Tolerance: 0.5mm

SPECIFICATIONS

DC Resistance	Ω	135 ± 15
AC Impedance	Ω	150 ± 30
Sound Pressure Level	dB	115 ± 2 at 1 mW
Frequency Range	Hz	200 ~ 400
THD		$\leq 3\%$
Operating Temperature	$^{\circ}\text{C}$	$-20 \sim +55$
Weight	g	39

