

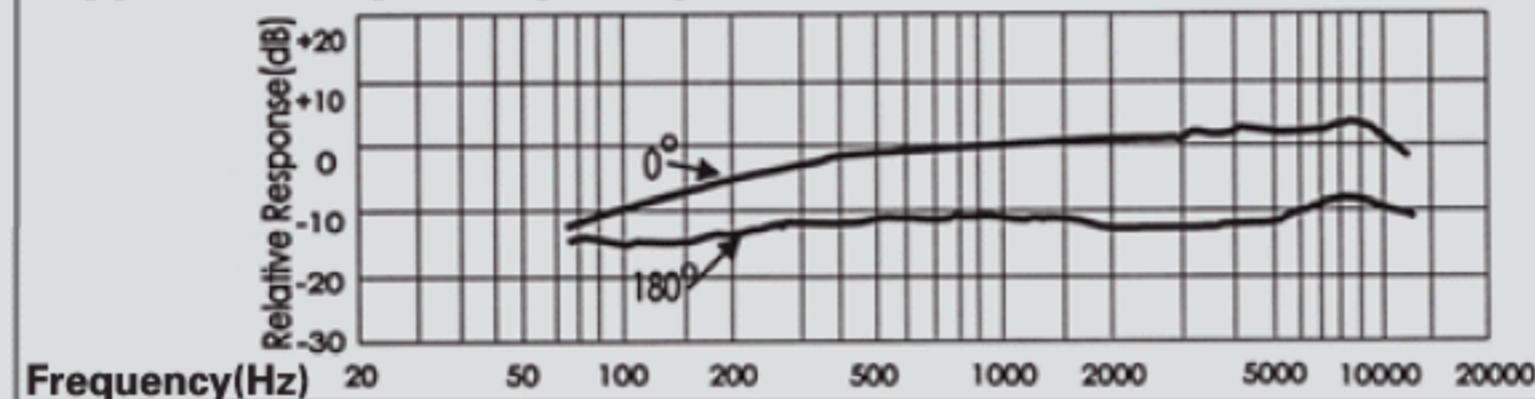
UB-6022、6018

Unidirectional Back Electret Condenser Microphone

Appearance



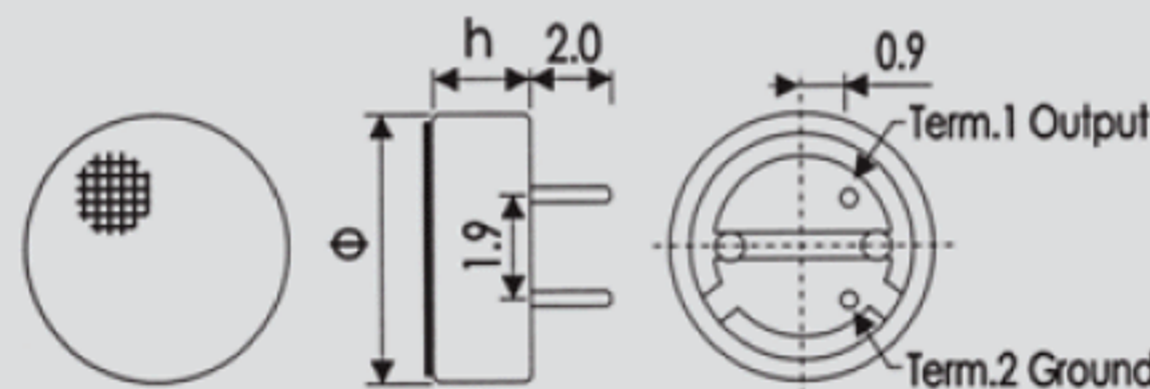
Typical frequency response curve



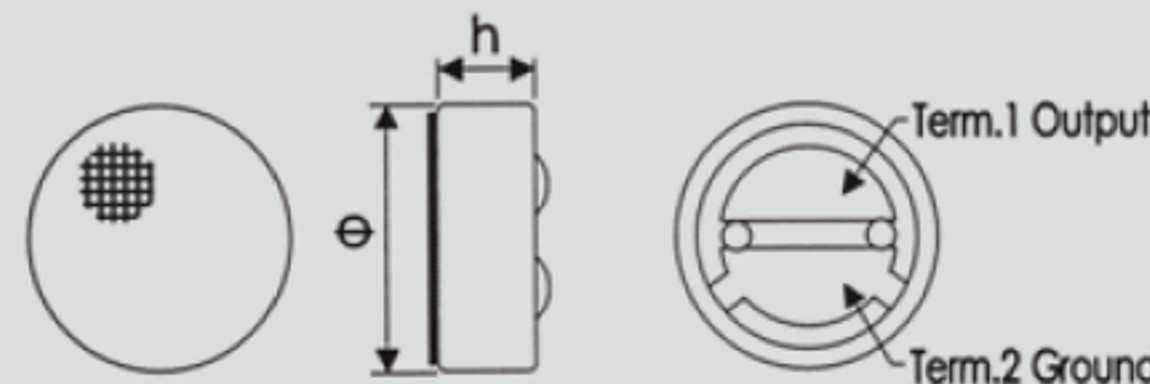
Dimensional drawing

Unit: mm

Pin type



Lead-wire



- Very small unidirectional microphone
- Suited to Hi-Fi sound and playback systems
- To design for high resistance to vibrations
- Capacitor inside:
10pF(DECT,PHS,PCN,PCS.etc.)
33pF(GSM,PDS.etc.)
10pF+33pF(DECT,PHS,PCN,GSM,PDS.etc.)

Specification

Sensitivity

See above(0dB=1V / Pa,1kHz)

Impedance

Less than 2.2K Ω

Directivity

Uni-directional

Frequency

100-12,000Hz

Max. operation voltage

10.0V

Standard Operation voltage

2.0V

Current consumption

Max. 0.5mA

Sensitivity reduction

Within-3dB at 1.5V

S/N ratio

More than 55dB

Shape size

$\Phi 6.0 \times h 2.2$
 $\Phi 6.0 \times h 1.8$

Sensitivity range

$V_s=2.0v$
 $R_L=2.2K \Omega$

$-48 \pm 3dB$
 $-50 \pm 3dB$

$-52 \pm 3dB (L=50cm)$