

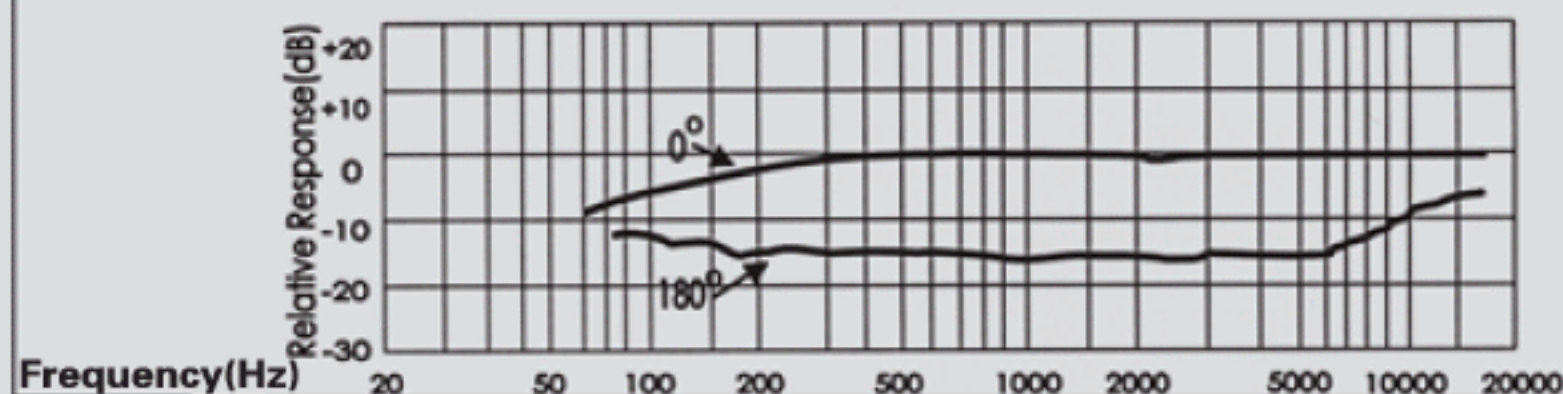
## UF-8050

## Unidirectional Foil Electret Condenser Microphone

### Appearance



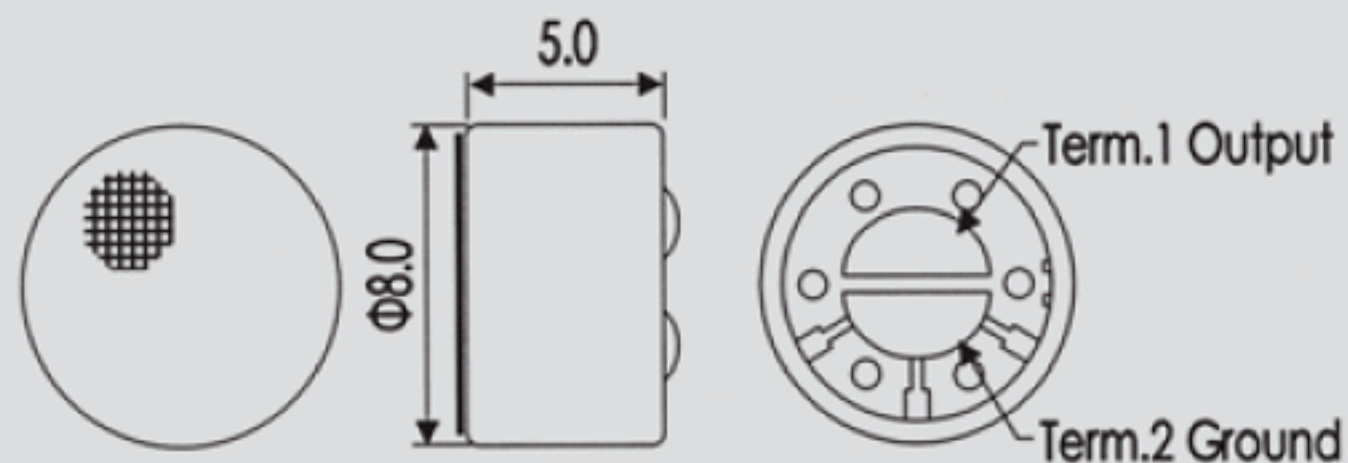
### Typical frequency response curve



### Dimensional drawing

Unit: mm

### Lead-wire



- Small unidirectional microphone
- Suited to Hi-Fi sound and playback systems

### Specification

**Sensitivity**  
See above (0dB=1V / Pa, 1kHz)

**Impedance**  
Less than 680 Ω

**Directivity**  
Uni-directional

**Frequency**  
100-16,000Hz

**Max. operation voltage**  
10.0V

**Standard Operation voltage**  
1.5V

**Current consumption**  
Max. 0.5mA

**Sensitivity reduction**  
Within -3dB at 1.1V

**S/N ratio**  
More than 55dB

### Shape size

Φ8.0X h5.0

### Sensitivity range

$V_s=1.5v$   
 $R_L=680\Omega$

$-47 \pm 3dB$   
 $-50 \pm 3dB$

$-53 \pm 3dB (L=50cm)$