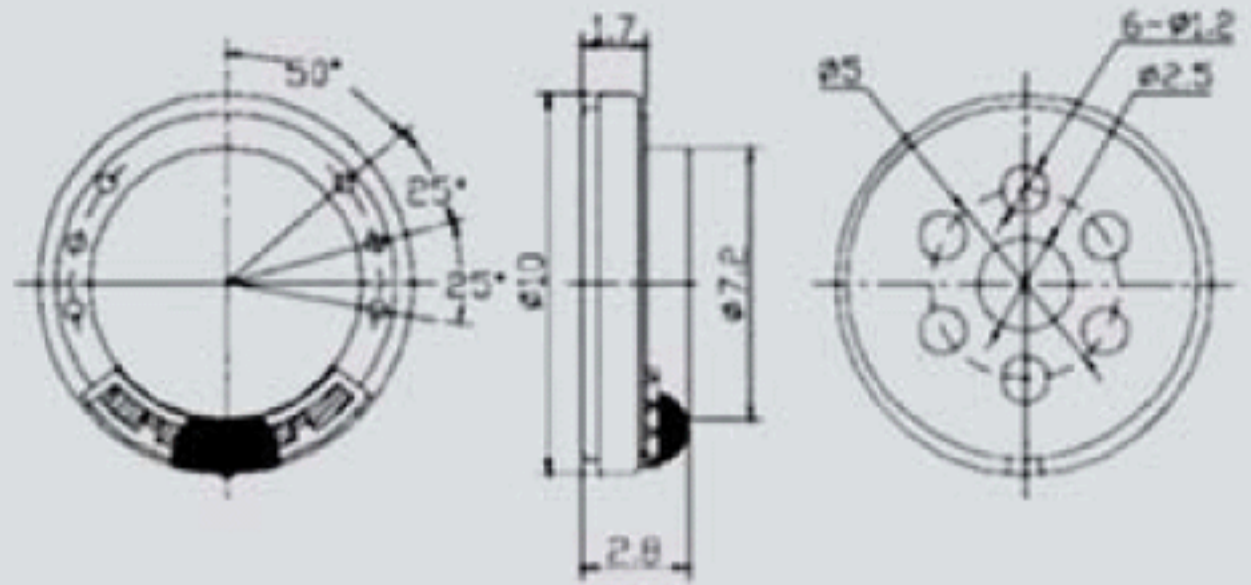


YD1008



DIMENSIONS

UNIT:mm

Tolerance: ± 0.5 mm

SPECIFICATIONS

Rated Impedance	Ω	$8 \pm 15\%$
Rated(Max)Power	W	0.15/0.3
Resonant Frequency	Hz	$1200 \pm 20\%/IV$
Rated Freq.Range	Hz	$f_0 \sim 6000$
Sound Pressure Level 0.1W/0.1m(AVG at 0.8,1.0,1.2,1.5)kHz	dB	82 ± 3
Weight	g	0.6
Operating Temperature	$^{\circ}\text{C}$	$-10 \sim +40$

