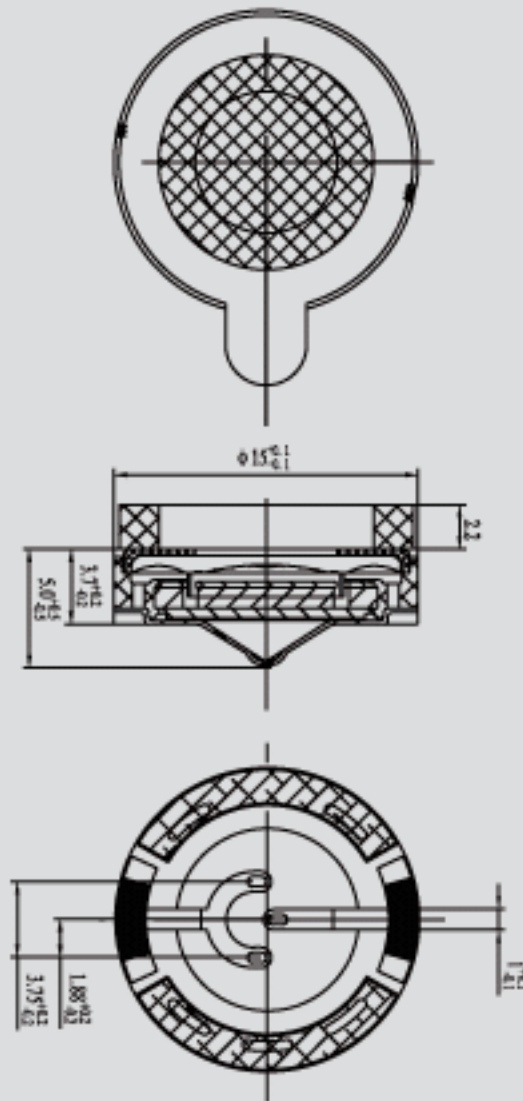


# YD1579



Rated input  
 Maximum input  
 Frequency range  
 Resonance frequency  
 Impedance@1KHz  
 SPL@0.8,1.0,1.2,1.5KHz  
 (0.1W/0.1m)

0.5W  
 1.0W  
 $F_0 \sim 20\text{KHz}$   
 $800 \pm 20\% \text{ Hz}$   
 $8 \pm 20\% \Omega$   
 $94 \pm 2\text{dB}$

