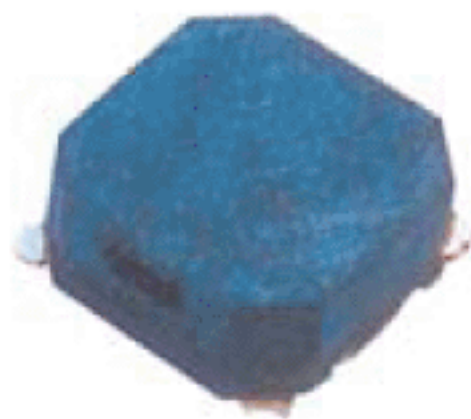


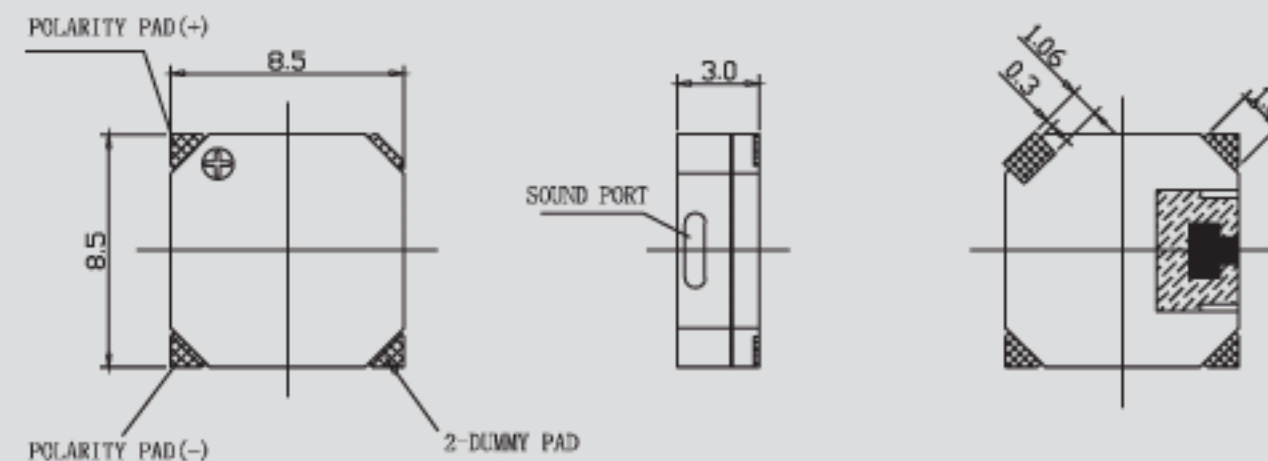
# ZB-8503



## DIMENSIONS

UNIT: mm

Tolerance:  $\pm 0.5\text{mm}$



## SPECIFICATIONS

Type	Unit	ZB-8503A	ZB-8503B
Rated Voltage	V	3.6	
Operating Voltage	V	2.5-4.5	
*Rated Current(MAX)	mA	90	
*Min Sound Output at 10 cm	dB	85(typ.88)	
Coil Resistance	$\Omega$	$16 \pm 3$	
*Resonant Frequency	Hz	2730	3000

\*Value Applying at Rated Voltage(resonant frequency, 1/2 duty, square wave)