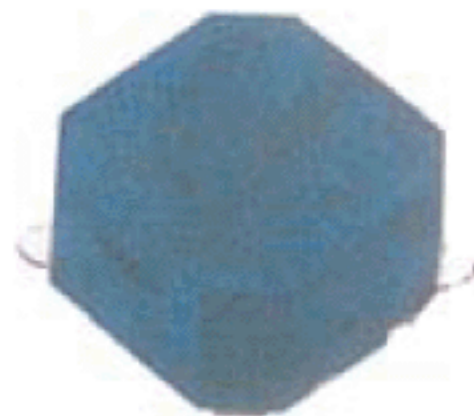


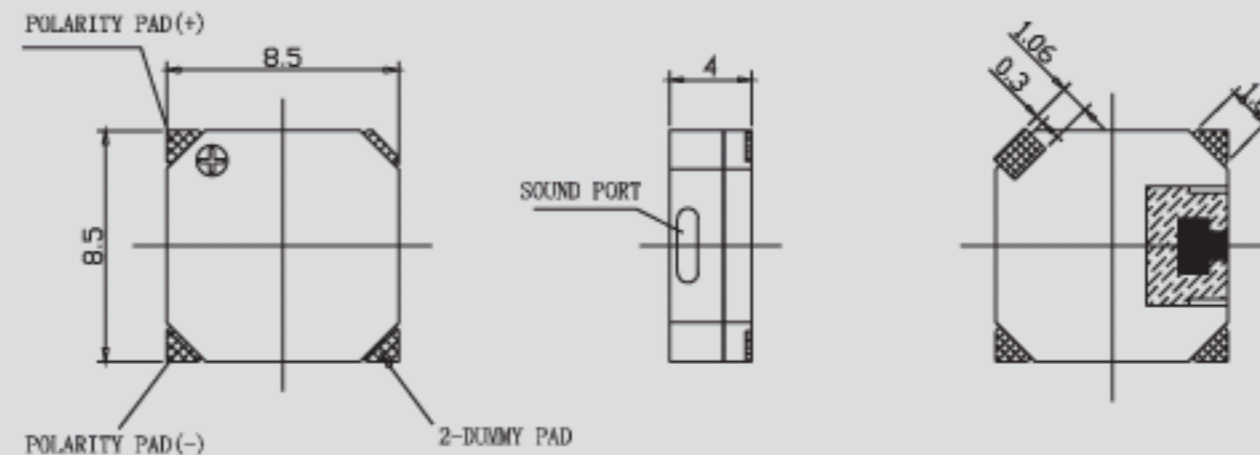
ZB-8504



DIMENSIONS

UNIT: mm

Tolerance: ± 0.5 mm



SPECIFICATIONS

Type	Unit	ZB-8504A	ZB-8504B
Rated Voltage	V	3.6	
Operating Voltage	V	2.5-4.5	
*Rated Current(MAX)	mA	90	
*Min Sound Output at 10 cm	dB	85(typ.88)	87(typ.90)
Coil Resistance	Ω	16 ± 3	
*Resonant Frequency	Hz	2730	3000

*Value Applying at Rated Voltage(resonant frequency, 1/2 duty, square wave)