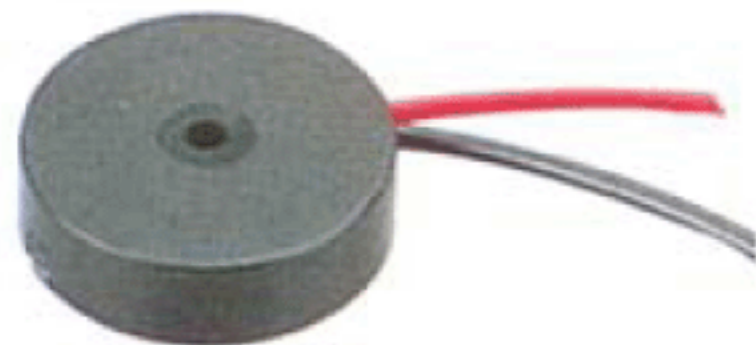


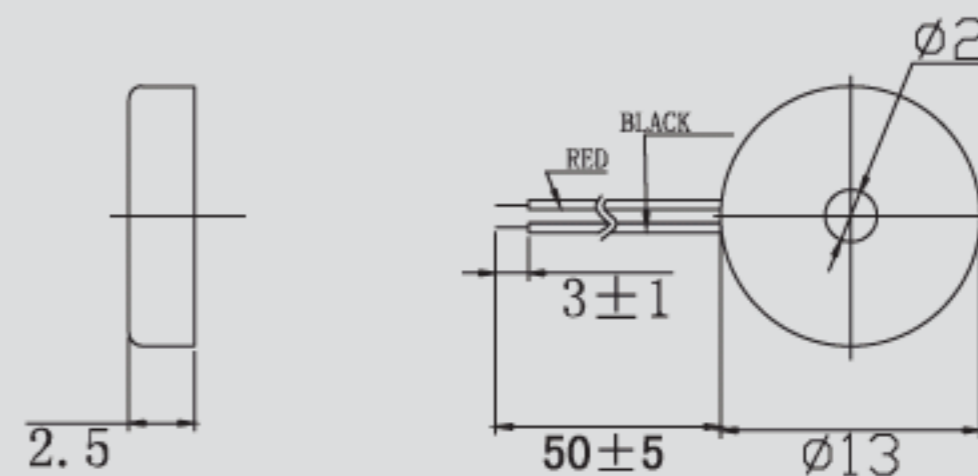
ZB-PT-1303L



DIMENSIONS

UNIT: mm

Tolerance: $\pm 0.5\text{mm}$



SPECIFICATIONS

Type	Unit	ZB-PT-1303L
Rated Voltage(Square Ware)	Vp-p	10
Operating Voltage	Vp-p	1-30
*Rated Current(MAX)	mA	5
*Min Sound Output at 4 KHz/10 cm	dB	80
*Resonant Frequency	Hz	4800 \pm 500
Capacitance at 120Hz	pF	15000 \pm 30%
Lead Wire		UL1571 AWG32

*Value Applying at Rated Voltage