

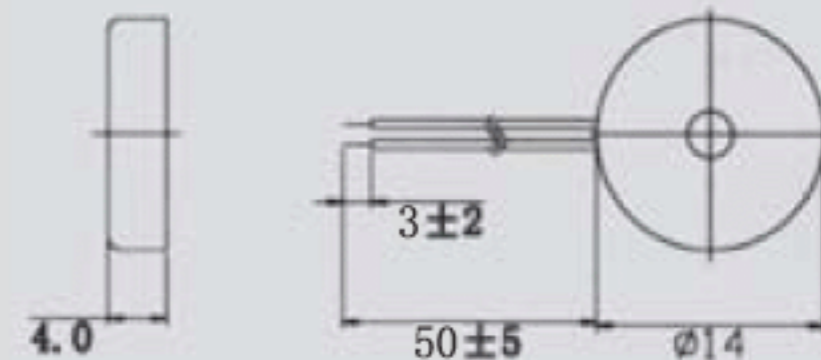
ZB-PT-1404L



DIMENSIONS

UNIT: mm

Tolerance: $\pm 0.5\text{mm}$



SPECIFICATIONS

Type	Unit	ZB-PT-1404L
Rated Voltage(Square Wave)	Vp-p	10
Operating Voltage	Vp-p	1-30
*Rated Current(MAX)	mA	2
*Min Sound Output at 4.8KHz/10 cm	dB	85
*Resonant Frequency	Hz	4800 \pm 500
Capacitance at 120Hz	pF	15000 \pm 30%
Lead Wire		UL1571 AWG32

*Value Applying at Rated Voltage(resonant frequency, 1/2 duty, square wave)