

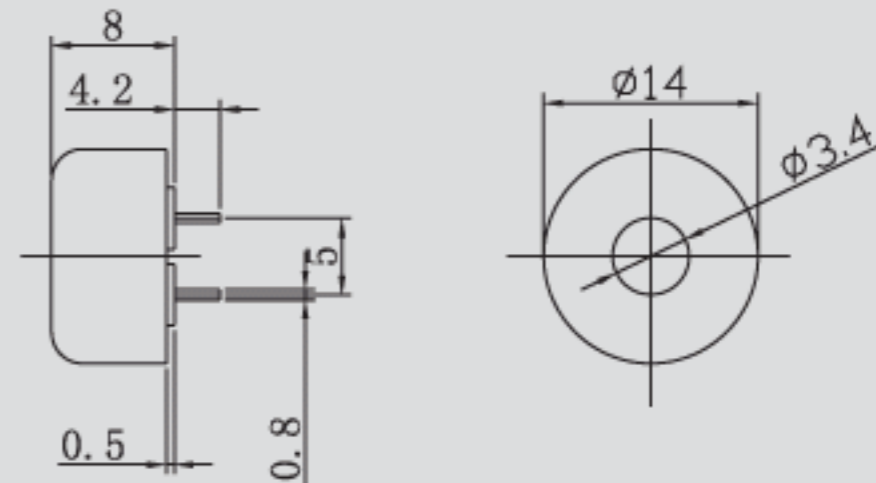
ZB-PT-1408



DIMENSIONS

UNIT: mm

Tolerance: $\pm 0.5\text{mm}$



SPECIFICATIONS

Type	Unit	ZB-PT-1408-03	ZB-PT-1408-05
Rated Voltage(Square wave)	Vp-p	3	5
Operating Voltage	Vp-p	1-30	
*Rated Current(MAX)	mA	1	2
*Min Sound Output at 4 KHz/10cm	dB	75	80
*Resonant Frequency	Hz	4000 \pm 500	
Capacitance at 1 KHz	pF	12000 \pm 30%	
Lead Pin Material		Phosphor bronze	

*Value Applying at Rated Voltage(resonant frequency, 1/2 duty, square wave)