

# ZB-PT-1410T

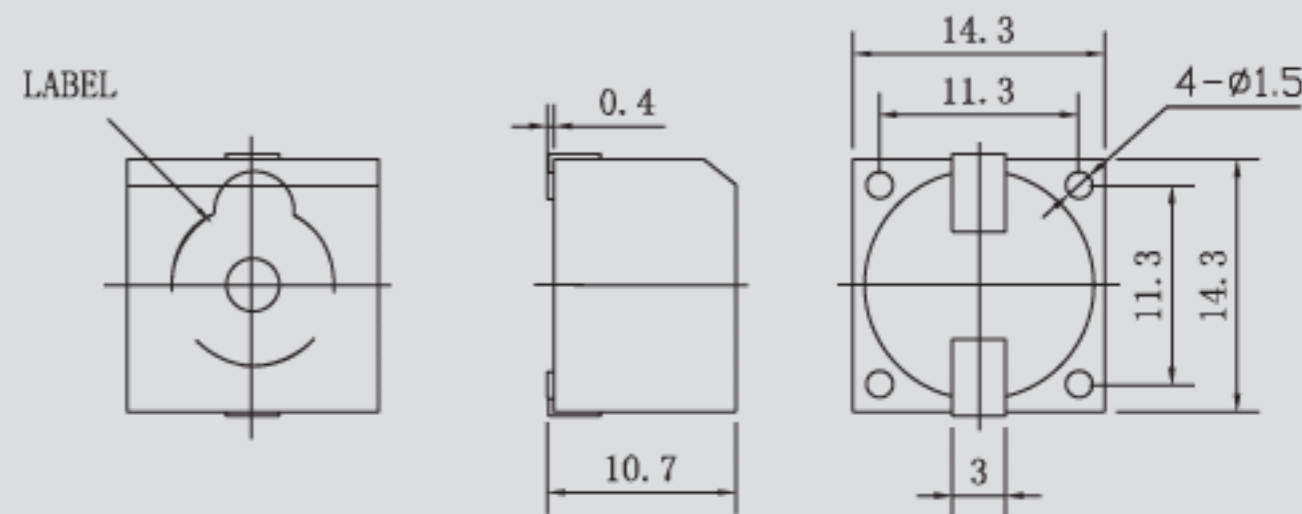


## DIMENSIONS

UNIT: mm

Tolerance:  $\pm 0.5\text{mm}$

Reflow Solderable and Washable



## SPECIFICATIONS

Type	Unit	ZB-PT-1410T
Rated Voltage(Square wave)	Vp-p	5
Operating Voltage	Vp-p	3-20
*Rated Current(MAX)	mA	8
*Min Sound Output at 4 KHz / 10cm	dB	80
*Resonant Frequency	Hz	3300 $\pm$ 300
Capacitance at 120Hz	pF	15000 $\pm$ 30%
Lead Pin Material		Brass

\*Value Applying at Rated Voltage(resonant frequency, 1/2 duty, square wave)