

# ZB-PT-1707

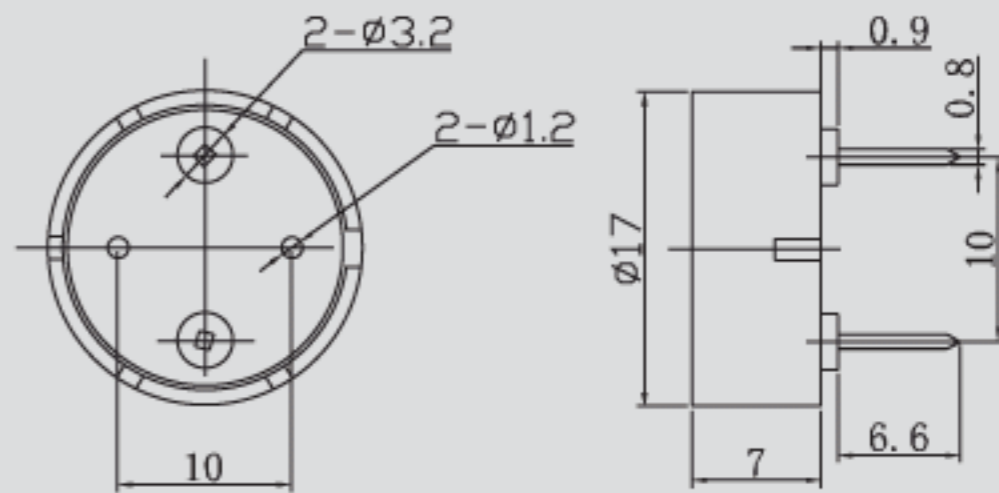


## DIMENSIONS

UNIT: mm

Tolerance:  $\pm 0.5\text{mm}$

## SPECIFICATIONS



Type	Unit	ZB-PT-1707
Rated Voltage(Square Wave)	Vp-p	5
Operating Voltage	Vp-p	1-30
*Rated Current(MAX)	mA	1
*Min Sound Output at 4.0 KHz/10cm	dB	78
*Resonant Frequency	Hz	4000 $\pm$ 500
Capacitance at 120Hz	pF	15000 $\pm$ 30%
Lead Pin Material		Phosphor Bronze

\*Value Applying at Rated Voltage(resonant frequency, 1/2 duty. square wave)