

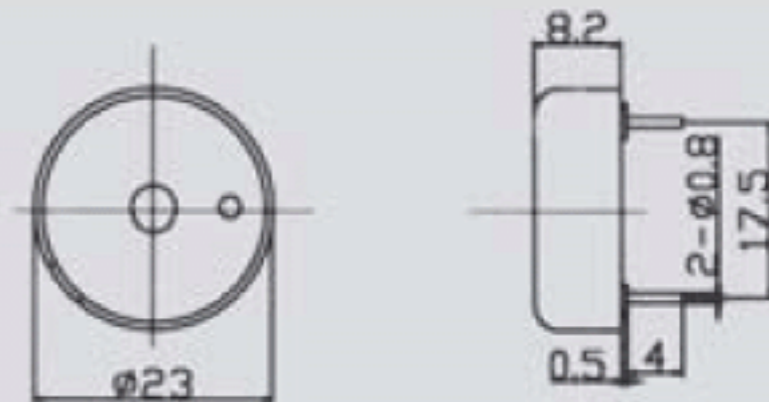
ZB-PT-2308



DIMENSIONS

UNIT: mm

Tolerance: $\pm 0.5\text{mm}$



SPECIFICATIONS

Type	Unit	ZB-PT-2308
Rated Voltage(Square Wave)	Vp-p	9
Operating Voltage	Vp-p	1-30
*Rated Current(MAX)	mA	5
*Min Sound Output at 3.0 KHz / 30 cm	dB	80
*Resonant Frequency	Hz	3000 \pm 500
Capacitance at 120Hz	pF	24000 \pm 30%
Lead Pin Material		Red Copper

*Value Applying at Rated Voltage(resonant frequency, 1/2 duty, square wave)