

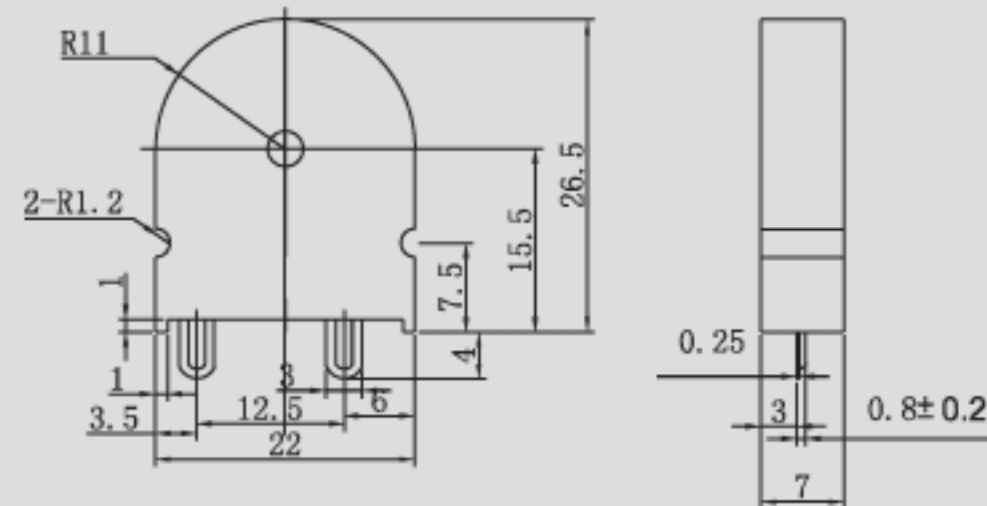
# ZB-PT-2707



## DIMENSIONS

UNIT: mm

Tolerance:  $\pm 0.5\text{mm}$



## SPECIFICATIONS

Type	Unit	ZB-PT-2707
Rated Voltage(Square Wave)	Vp-P	3
Operating Voltage	Vp-P	1-25
*Rated Current(MAX)	mA	1
*Min Sound Output at 2.0KHz/10 cm	dB	70
*Resonant Frequency	Hz	2000 $\pm$ 500
Capacitance at 1 20Hz	pF	19000 $\pm$ 30%
Lead Pin Material		Beryllium Bronze

\*Value Applying at Rated Voltage(resonant frequency, 12 duty, square wave)