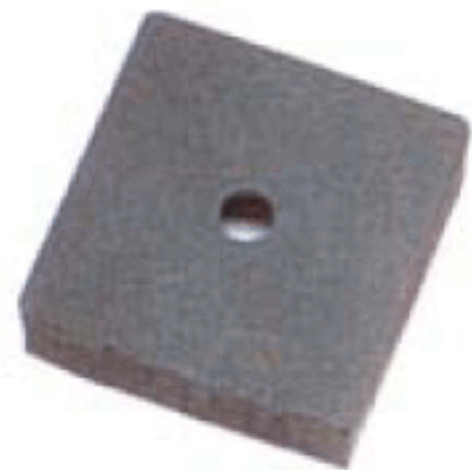


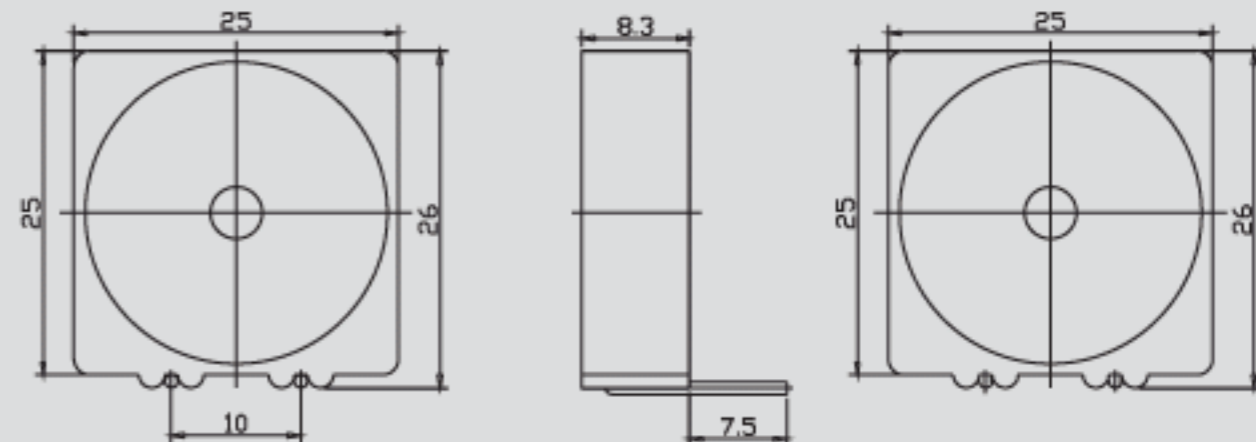
ZB-PT-2508T



DIMENSIONS

UNIT: mm

Tolerance: $\pm 0.5\text{mm}$



SPECIFICATIONS

Type	Unit	ZB-PT-2508T	
Rated Voltage(Square Wave)	Vp-p	8	
Operating Voltage	Vp-p	1-30	
*Rated Current(MAX)	mA	3	
*Min Sound Output at 10cm	200Hz	dB	74 ± 3
	800Hz	dB	80 ± 6
	2000Hz	dB	85 ± 6
Capacitance at 120 Hz	pF	$22000 \pm 30\%$	
Lead Pin Material		Red Copper	

*Value Applying at Rated Voltage(resonant frequency, 1 / 2 duty, square wave)