

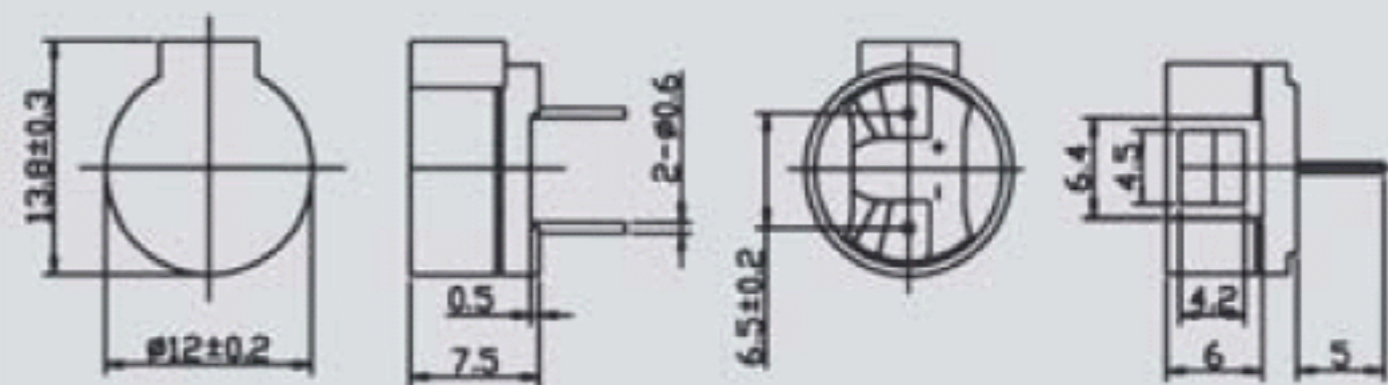
ZB12-01C



DIMENSIONS

UNIT: mm

Tolerance: $\pm 0.5\text{mm}$



SPECIFICATIONS

Type	Unit	ZB12-01CA	ZB12-01CB	ZB12-01CC
Rated Voltage	V	1.5	1.5	1.5
Operating Voltage	V	1-3	1-3	1-3
*Rated Current(MAX)	mA	70	70	30
*Min Sound Output at 10 cm	dB	80	88	80
Coil Resistance	Ω	6.5 ± 1	6.5 ± 1	16 ± 4
*Resonant Frequency	Hz	2048	2731	2048

*Value Applying at Rated Voltage(resonant frequency, 1/2 duty, square wave)